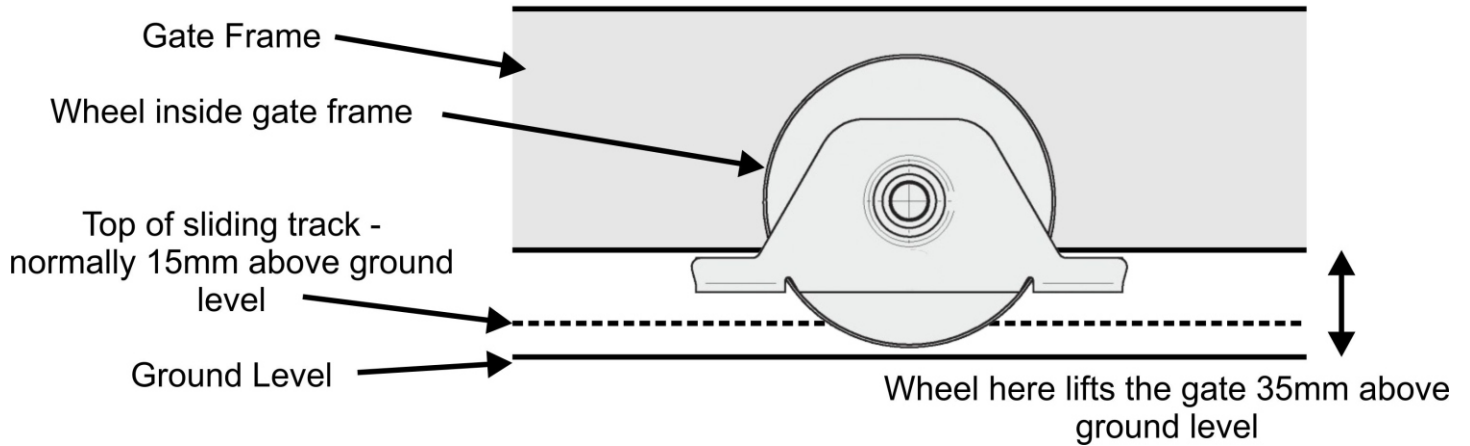
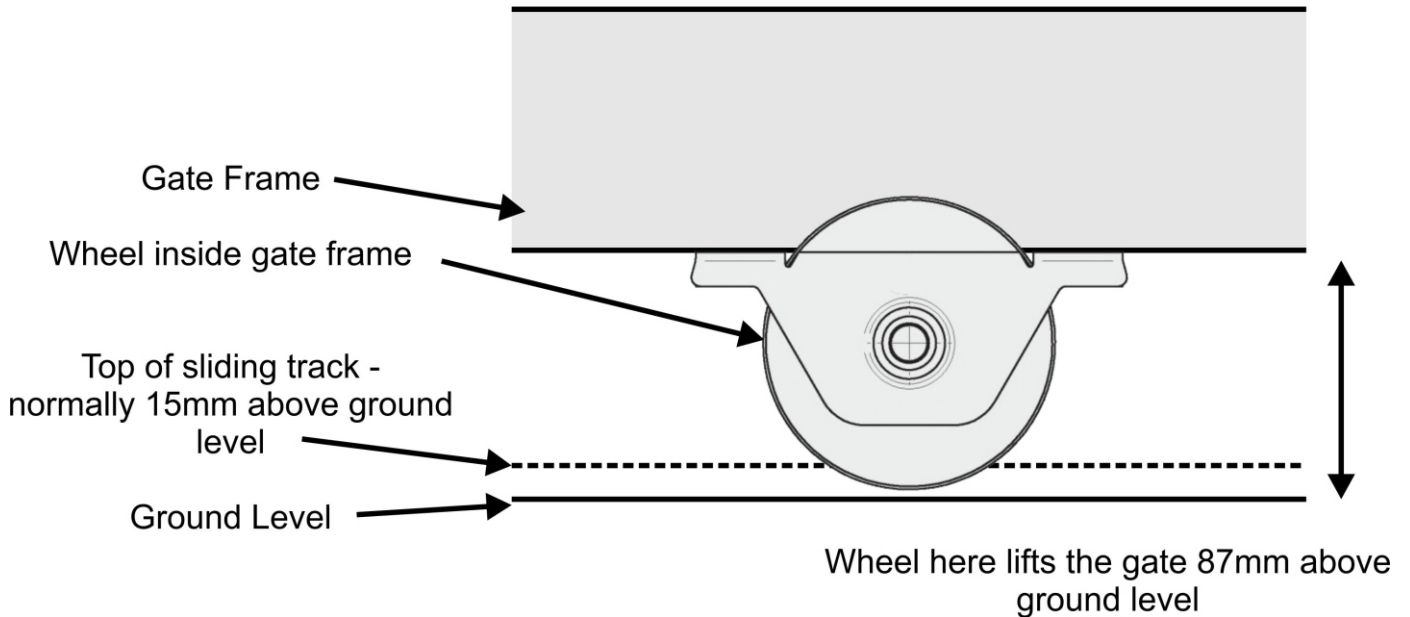


SLIDING GATE WHEEL DEDUCTIONS

DEDUCTION REQUIRED FOR 90MM WHEEL INSERTED NORMALLY



DEDUCTION REQUIRED FOR 90MM WHEEL INSERTED UPSIDE DOWN



If using standard bolt down track the height of the track is 15mm.
If using concrete in track you should leave 15mm above ground level.

Assuming a track height of 15mm then the allowances shown above apply plus or minus 2mm.